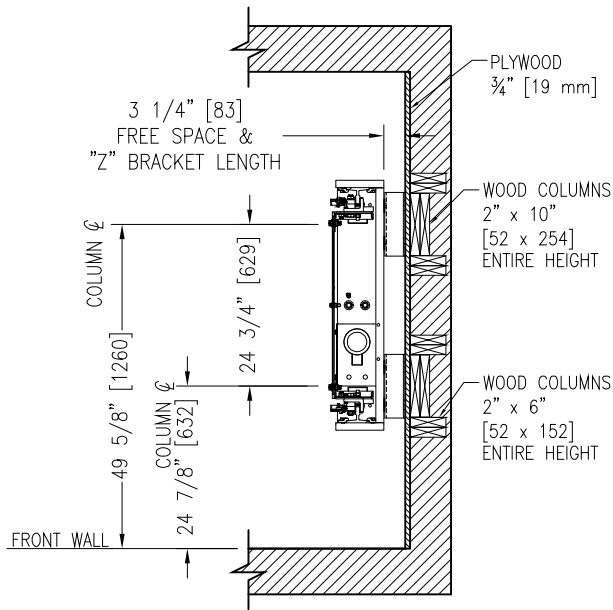
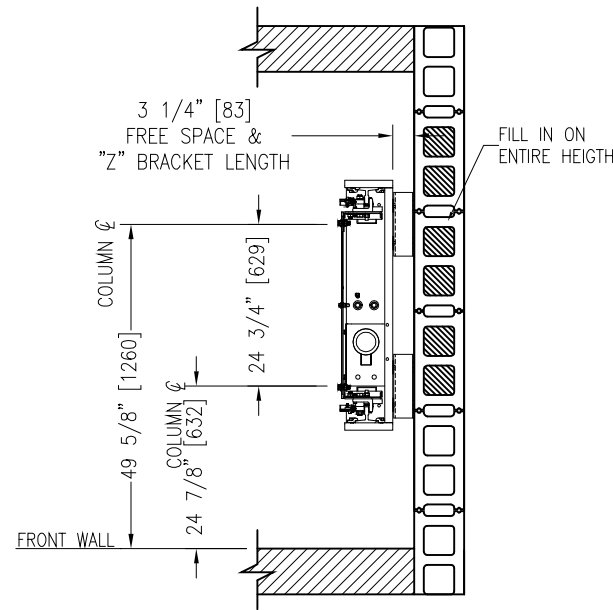


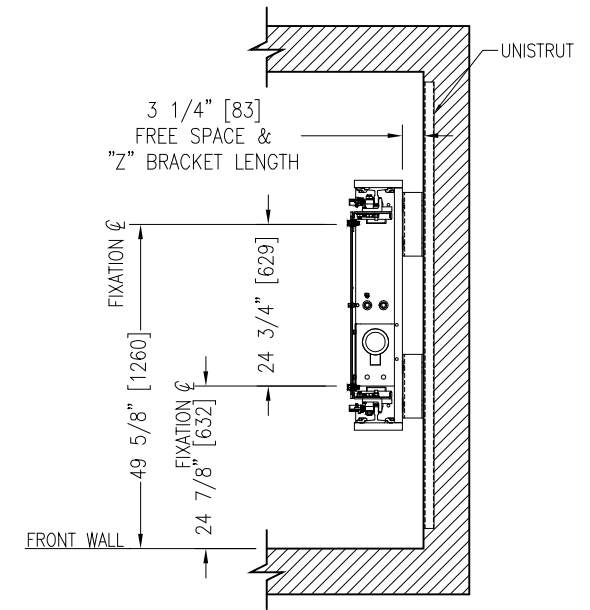
WOOD COLUMNS



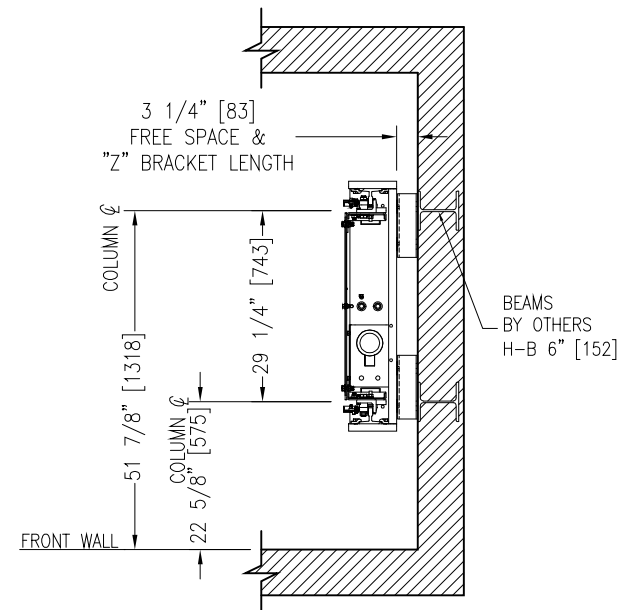
BLOCS WALL



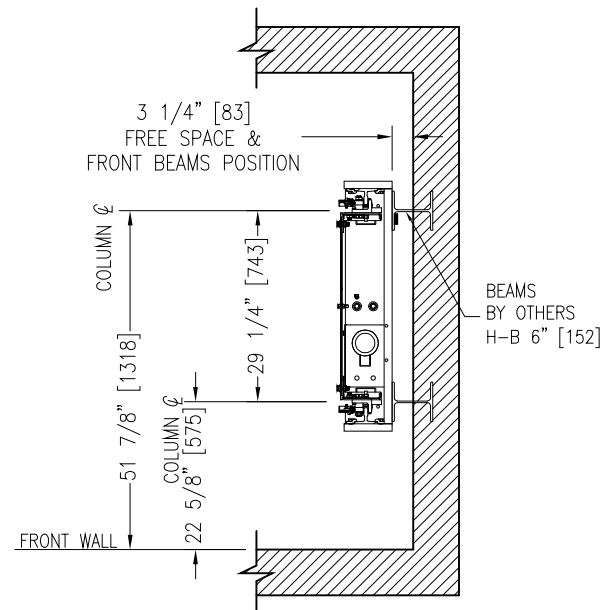
UNISTRUT IN WALL



BEAMS IN WALL



BEAMS IN HOISTWAY



GLOBAL TARDIF IS NOT RESPONSIBLE OF STRUCTURAL DESIGN OF THE BUILDING AND ITS CAPACITY TO SUPPORT THE ELEVATOR LOADS AND/OR REACTIONS

REV.:	DATE:	DESCRIPTION:	BY:
DRAWING NAME: COLUMNS POSITIONS FOR RAIL BRACKETS FIXATION			
ELEVATOR(S) NUMBER:			
DETAILS: APPLICABLE CODE LU/LA GT-501W FRONT / REAR OPENINGS			
PROJECT NAME:			
LOCATION:			
LE GROUPE MANUFACTURIER D'ASCENSEURS			
GLOBAL TARDIF			
ELEVATOR MANUFACTURING GROUP			
DRAWN BY: K.R.	VERIFIED BY:	DATE:	SCALE: N.T.S.
REF.: GT-501W-L12	DRAWING #:	SHEET: 1/1	REV: