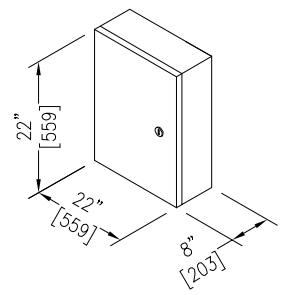
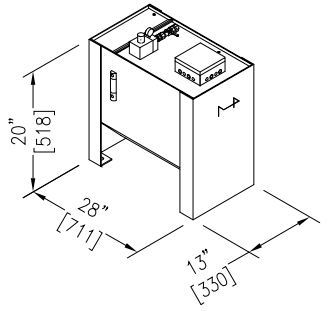


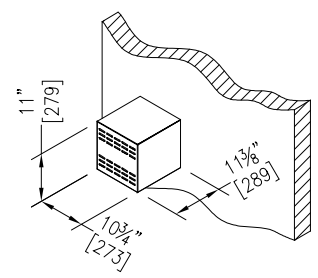
CONTROLLER



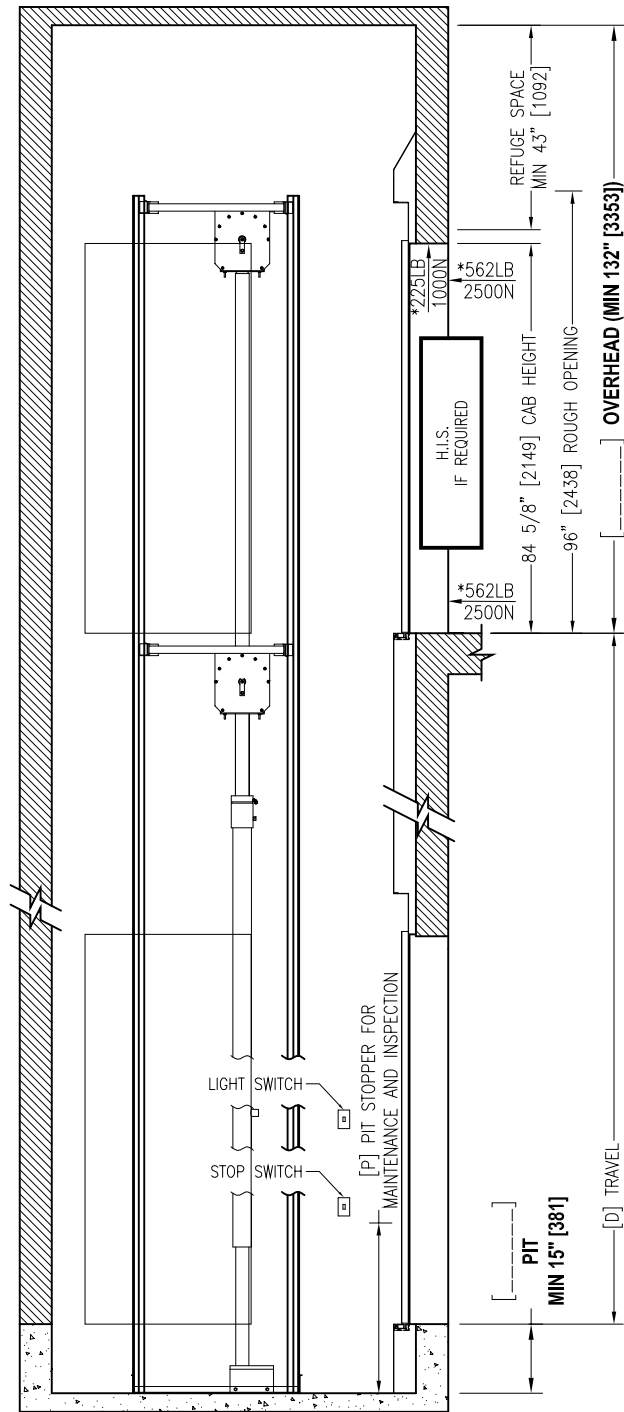
POWER UNIT



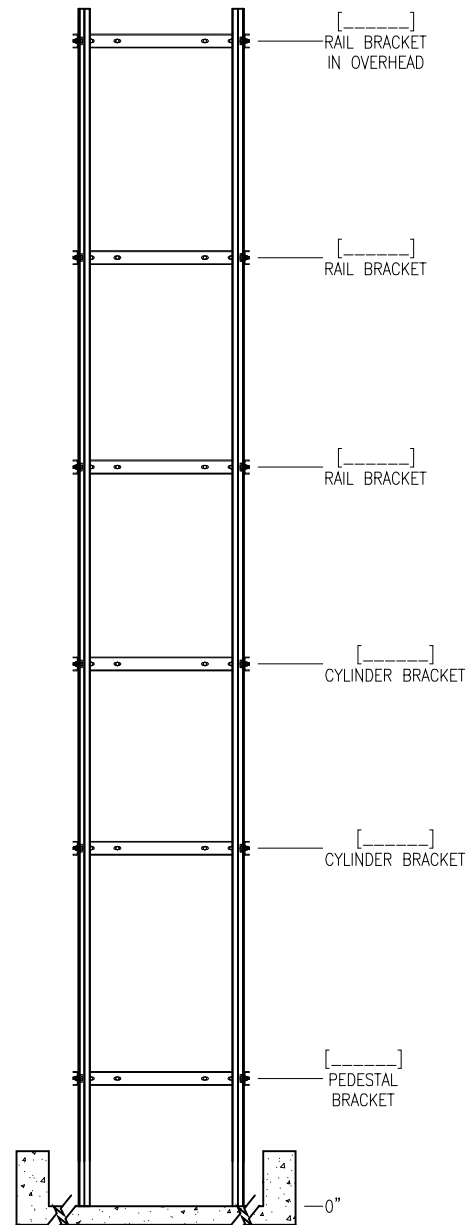
TRANSFORMER (IF REQUIRED)



REV.:	DATE:	DESCRIPTION:	BY:
DRAWING NAME: ELEVATOR LAYOUT PLAN VIEW AND MACHINE ROOM			
ELEVATOR(S) NUMBER:			
DETAILS: APPLICABLE CODE LU/LA GT-503 FRONT/ SIDE OPENINGS			
PROJECT NAME:			
LOCATION:			
LE GROUPE MANUFACTURIER D'ASCENSEURS GLOBAL TARDIF ELEVATOR MANUFACTURING GROUP			
DRAWN BY: K.R.	VERIFIED BY:	DATE:	SCALE: N.T.S.
REF.: GT-503-L10	DRAWING #:	SHEET: 1/2	REV:



ELEVATION VIEW M
1



ELEVATION VIEW
RAIL BRACKETS POSITION M
1

IN EXISTING BUILDINGS,
OVERHEAD MAY BE
REDUCED

QUANTITY AND POSITIONS
OF PEDESTAL, CYLINDER
AND RAIL BRACKETS MAY
VARY ACCORDING TO THE
TOTAL TRAVEL

REV.:	DATE:	DESCRIPTION:	BY:
DRAWING NAME: ELEVATOR LAYOUT ELEVATION VIEW			
ELEVATOR(S) NUMBER:			
DETAILS: APPLICABLE CODE LU/LA GT-503 FRONT/ SIDE OPENINGS			
PROJECT NAME:			
LOCATION:			
LE GROUPE MANUFACTURIER D'ASCENSEURS			GLOBAL TARDIF
ELEVATOR MANUFACTURING GROUP			
DRAWN BY: K.R.	VERIFIED BY:	DATE:	SCALE: N.T.S.
REF.: GT-503-L10	DRAWING #:	SHEET: 2/2	REV: