

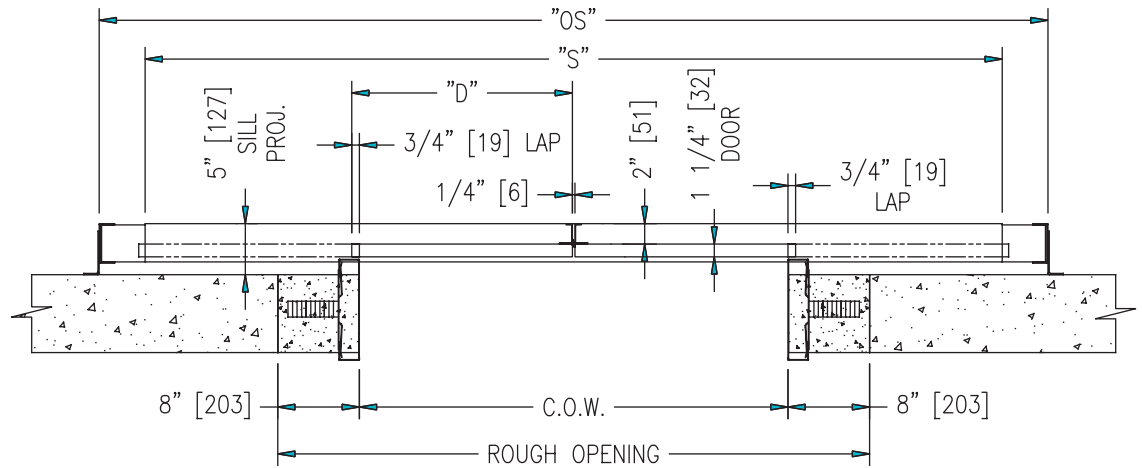
## Center Opening Doors

- Econo ( Integral Type ) - with hangers, tracks & closers.  
We offer 36" (915 mm) wide by 84" (2134 mm) or 96" (2438 mm) high and 42" (1067 mm) wide by 84" (2134 mm) or 96" (2438 mm) high and 48" (1219 mm) wide by 84" (2134 mm) or 96" (2438 mm) high.
- Conventional (none integral) - without hangers, tracks & closers. - sold separately.  
Any size from 30" (762 mm) up to 96" (2438 mm) by 120" (3048 mm) high.

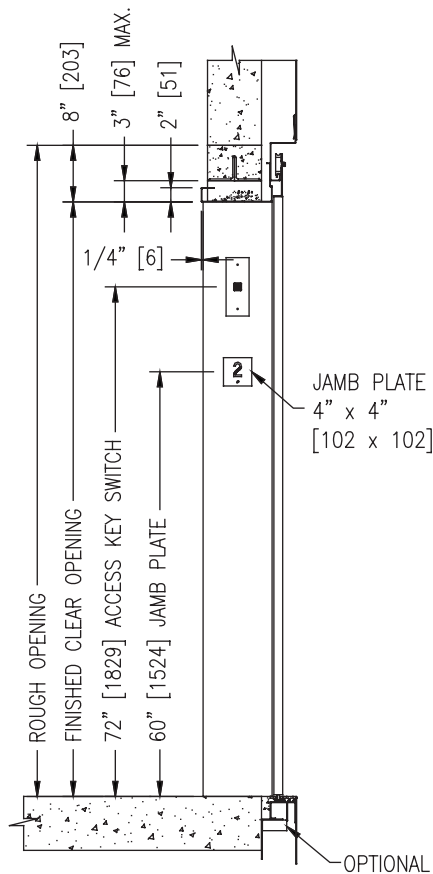
C.O.W : Clear Opening Width  
 D : Door width = C.O.W. + 2 + 5/8" (17 mm)  
 S : Sill length = C.O.W. x 2 + 1" (25 mm)  
 OS : Outside strut to strut = C.O.W. x 2 + 9" (229 mm) \*\*

\*\* To use "OS" formula, C.O.W. ≥ 30"  
 Please contact us for feasibility of a smaller "OS" dimension

Typical  
Plan  
View



Typical  
Elevation  
View



## Center Opening Doors

Groupe manufacturier d'ascenseurs

**GLOBAL TARDIF**



Elevator Manufacturing Group