

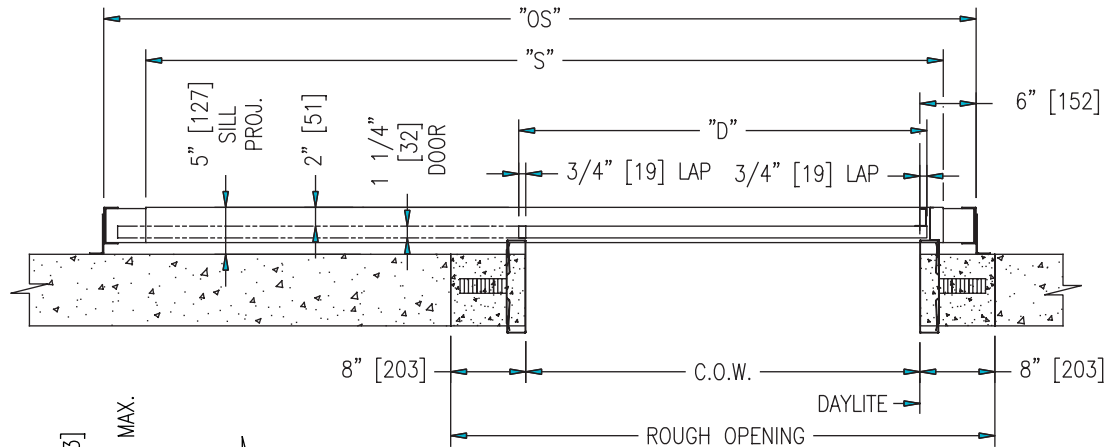
# Single-Speed Sliding Doors

- Econo ( Integral Type ) - with hangers, tracks & closers.  
We offer 36" (915 mm) wide by 84" (2134 mm) or 96" (2438 mm) high and 42" (1067 mm) wide by 84" (2134 mm) or 96" (2438 mm) high.
- Conventional (none integral) - without hangers, tracks & closers. - sold separately.  
Any size from 22" (559 mm) up to 48" (1219 mm) by 120" (3048 mm) high.

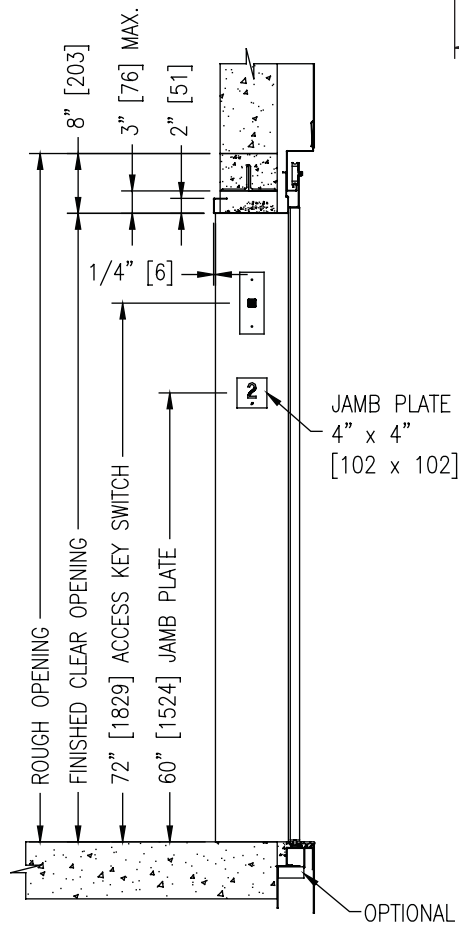
C.O.W : Clear Opening Width  
 D : Door width = C.O.W. + 1 1/2" (38 mm)  
 S : Sill length = C.O.W. x 2 + 1" (25 mm)  
 OS : Outside strut to strut = C.O.W. x 2 + 9" (229 mm) \*\*

\*\* To use "OS" formula, C.O.W. ≥ 22"  
 Please contact us for feasibility of a smaller "OS" dimension

Typical  
Plan  
View



Typical  
Elevation  
View



## Single-Speed Sliding Doors

Groupe manufacturier d'ascenseurs

**GLOBAL TARDIF**



Elevator Manufacturing Group