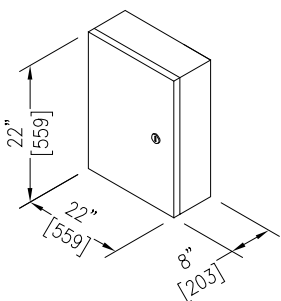
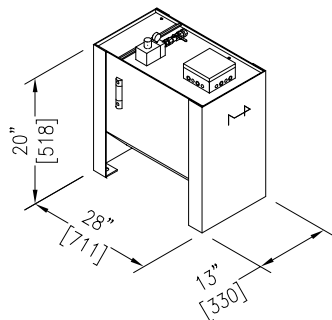


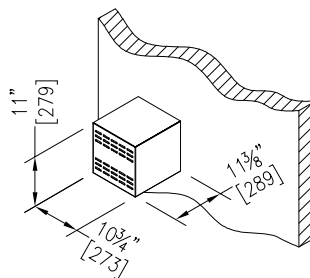
CONTROLLER



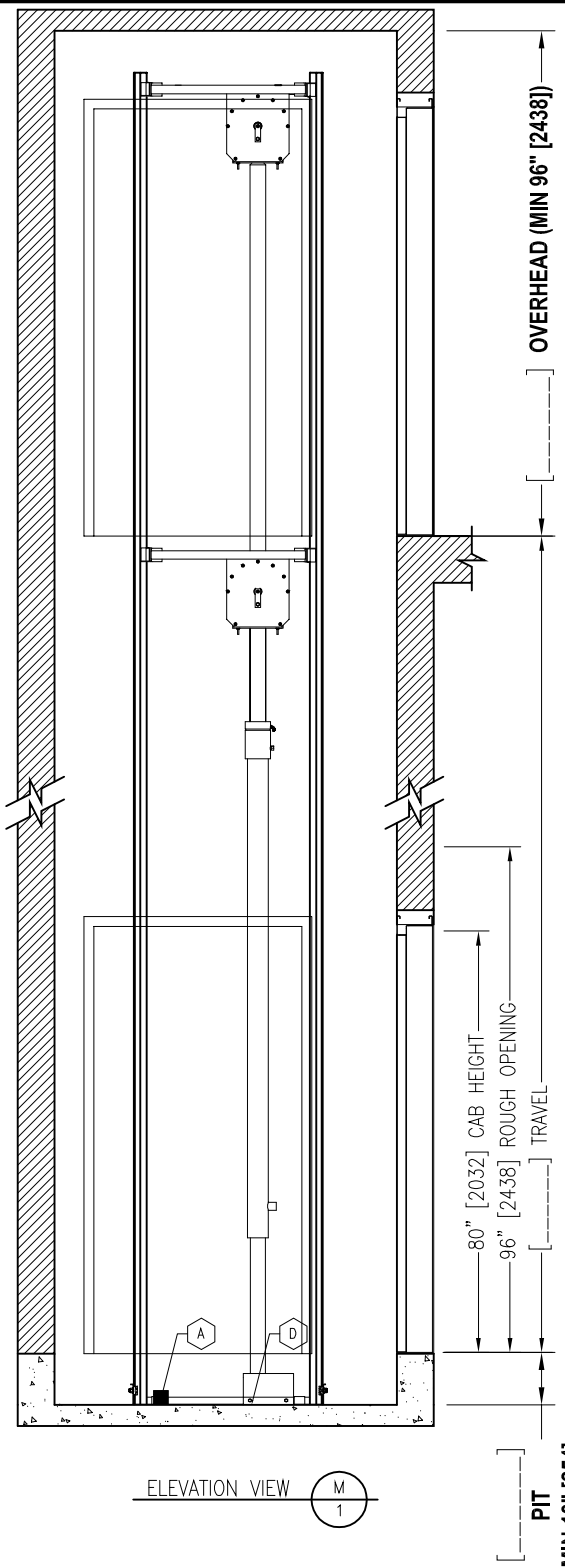
POWER UNIT



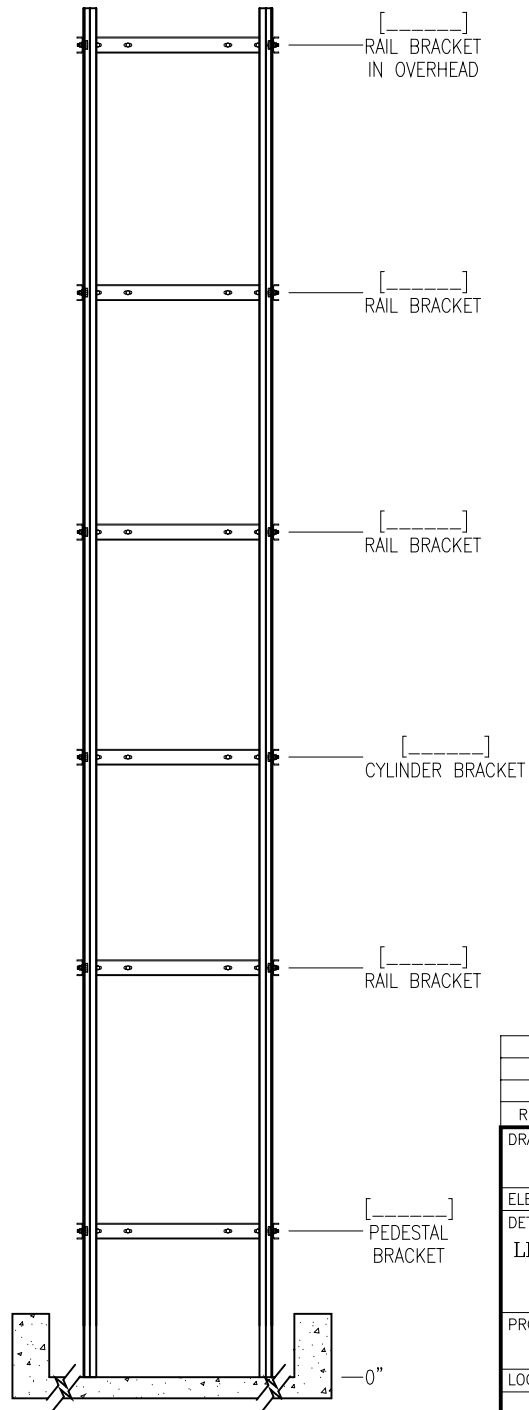
TRANSFORMER
(IF REQUIRED)



REV.:	DATE:	DESCRIPTION:	BY:
DRAWING NAME: ELEVATOR LAYOUT PLAN VIEW AND MACHINE ROOM			
ELEVATOR(S) NUMBER:			
DETAILS: APPLICABLE CODE LIFTS FOR PERSONS WITH PHYSICAL DISABILITIES GT-103 FRONT/ SIDE OPENINGS			
PROJECT NAME:			
LOCATION:			
LE GROUPE MANUFACTURIER D'ASCENSEURS GLOBAL TARDIF ELEVATOR MANUFACTURING GROUP			
DRAWN BY: K.R.	VERIFIED BY:	DATE:	SCALE: N.T.S.
REF.: GT-103-L12	DRAWING #:	SHEET: 1/2	REV:



ELEVATION VIEW (M 1)



ELEVATION VIEW RAIL BRACKETS POSITIONS (M 1)

QUANTITY AND POSITIONS OF PEDESTAL, CYLINDER AND RAIL BRACKETS MAY VARY ACCORDING TO THE TOTAL TRAVEL

REV.:	DATE:	DESCRIPTION:	BY:
DRAWING NAME: ELEVATOR LAYOUT LANDING DOORS AND MACHINE ROOM			
ELEVATOR(S) NUMBER:			
DETAILS: APPLICABLE CODE LIFTS FOR PERSONS WITH PHYSICAL DISABILITIES GT-103 FRONT/ SIDE OPENINGS			
PROJECT NAME:			
LOCATION:			
LE GROUPE MANUFACTURIER D'ASCENSEURS			
ELEVATOR MANUFACTURING GROUP			
DRAWN BY: K.R.	VERIFIED BY:	DATE:	SCALE: N.T.S.
REF.: GT-103-L12	DRAWING #:	SHEET: 2/2	REV: