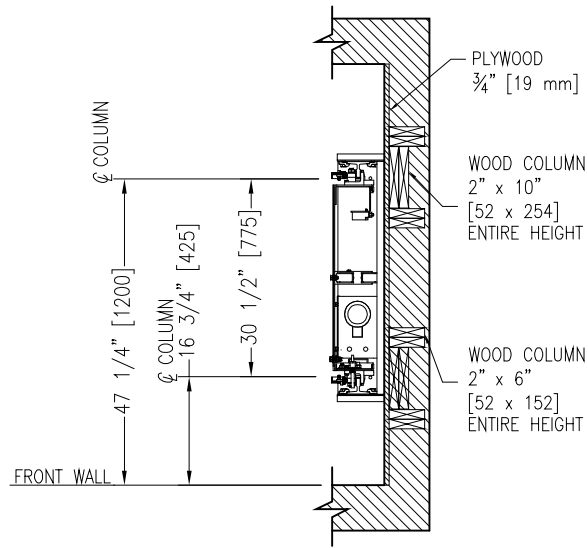
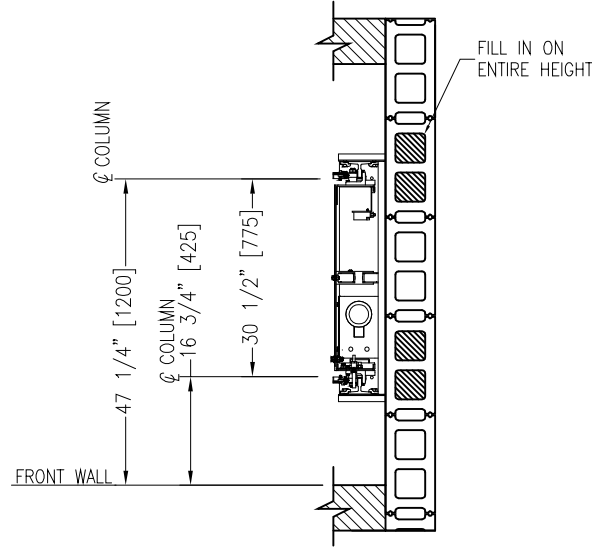


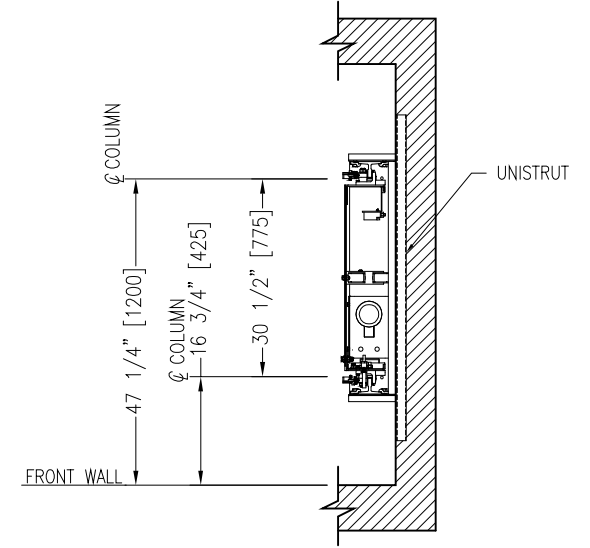
WOOD COLUMNS



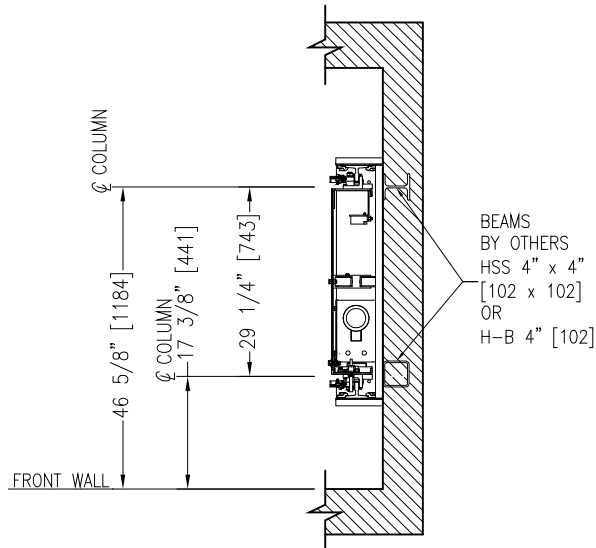
BLOCS WALL



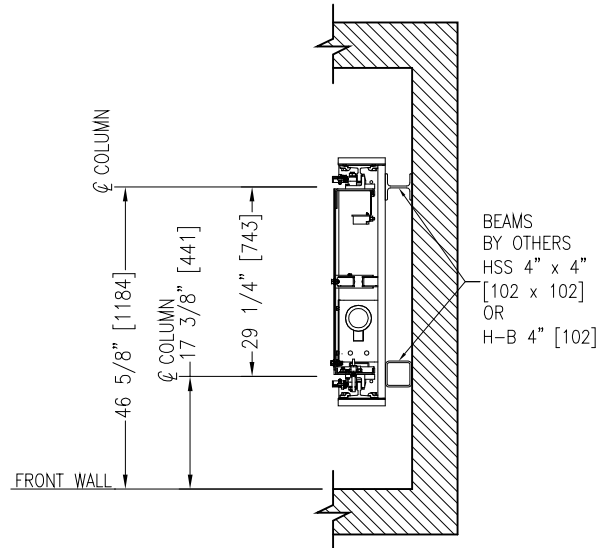
BEAMS IN WALL



BEAMS IN HOISTWAY



UNISTRUT IN WALL



REV.:	DATE:	DESCRIPTION:	BY:
DRAWING NAME: COLUMNS POSITIONS FOR RAIL BRACKETS FIXATION			
ELEVATOR(S) NUMBER:			
DETAILS: APPLICABLE CODE LIFTS FOR PERSONS WITH PHYSICAL DISABILITIES GT-101 FRONT OPENINGS			
PROJECT NAME:			
LOCATION:			
LE GROUPE MANUFACTURIER D'ASCENSEURS			
GLOBAL TARDIF			
ELEVATOR MANUFACTURING GROUP			
DRAWN BY: K.R.	VERIFIED BY:	DATE:	SCALE: N.T.S.
REF.: GT-101-L25	DRAWING #:	SHEET: 1/1	REV: