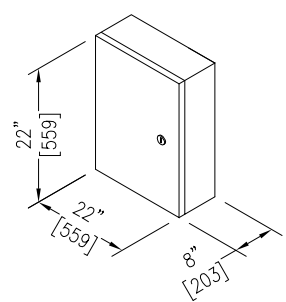
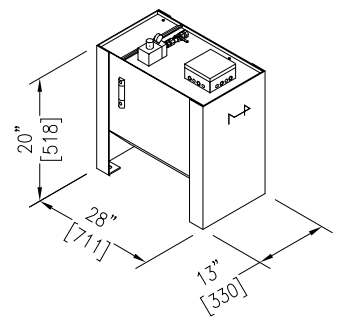


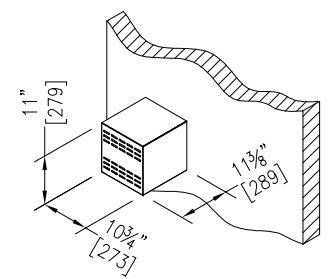
CONTROLLER



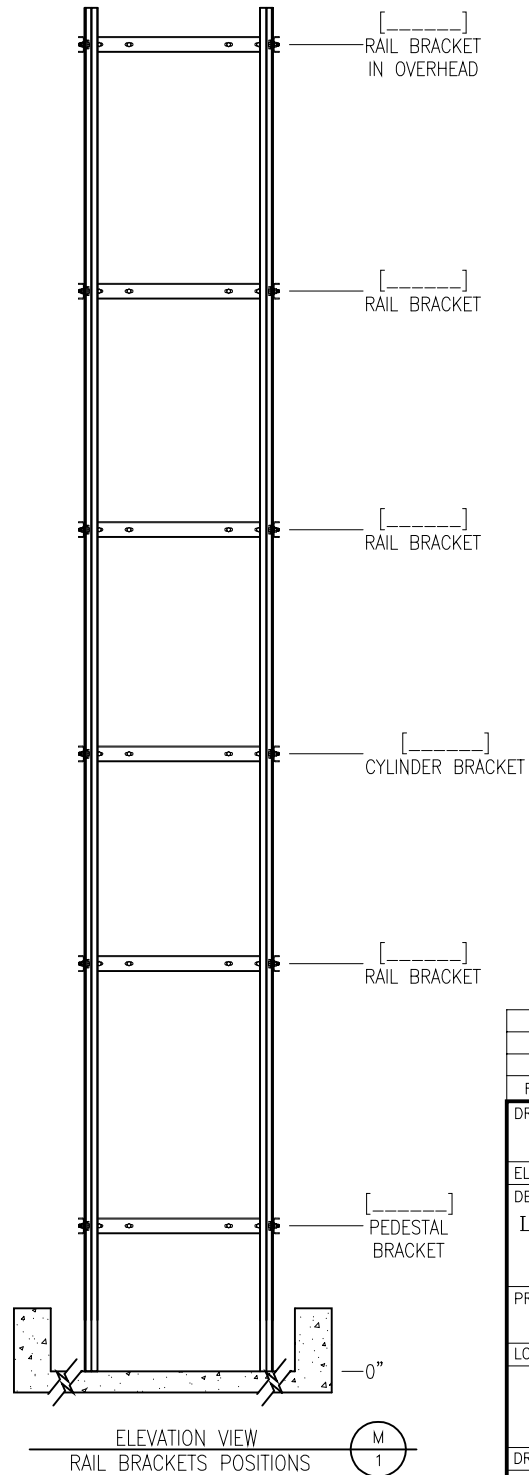
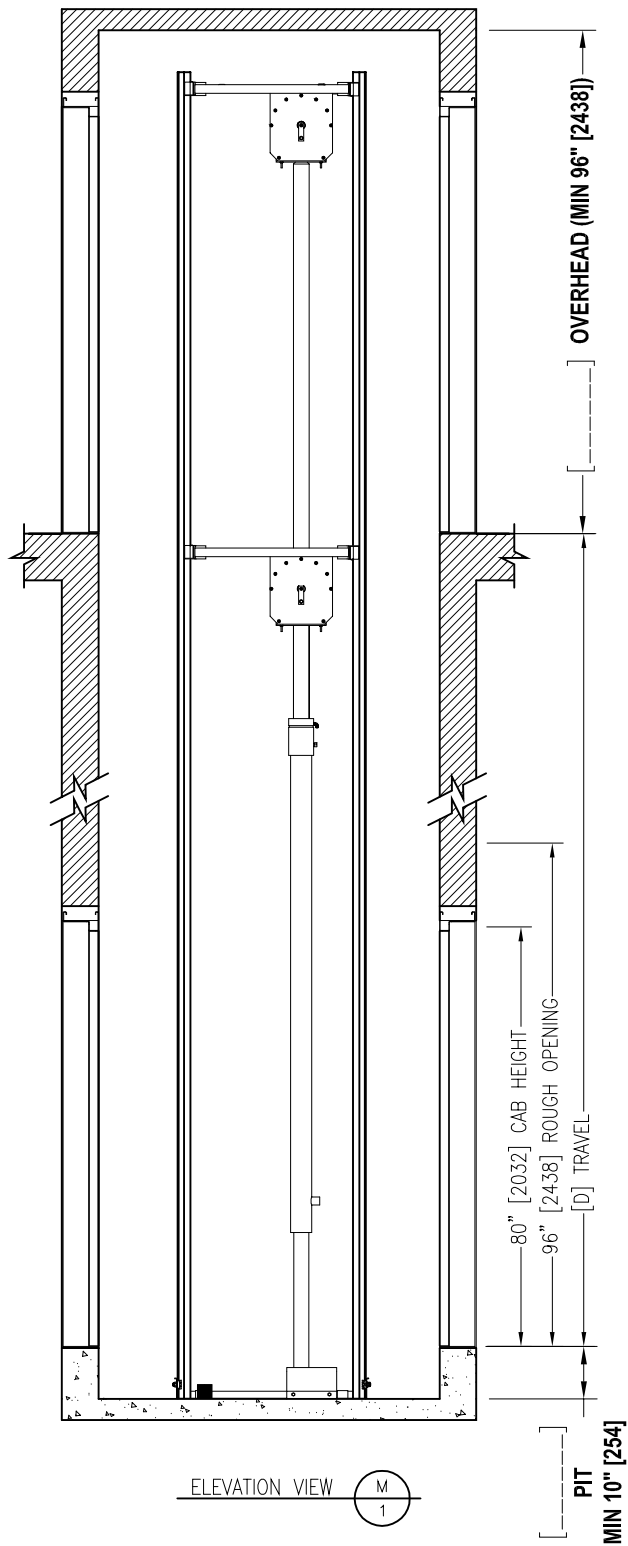
POWER UNIT



TRANSFORMER
(IF REQUIRED)



REV.:	DATE:	DESCRIPTION:	BY:
DRAWING NAME: ELEVATOR LAYOUT PLAN VIEW AND MACHINE ROOM			
ELEVATOR(S) NUMBER:			
DETAILS: APPLICABLE CODE LIFTS FOR PERSONS WITH PHYSICAL DISABILITIES GT-102 FRONT/ REAR OPENINGS			
PROJECT NAME:			
LOCATION:			
LE GROUPE MANUFACTURIER D'ASCENSEURS GLOBAL TARDIF ELEVATOR MANUFACTURING GROUP			
DRAWN BY: K.R.	VERIFIED BY:	DATE:	SCALE: N.T.S.
REF.: GT-102-L25	DRAWING #:	SHEET: 1/2	REV:



QUANTITY AND POSITIONS OF PEDESTAL, CYLINDER AND RAIL BRACKETS MAY VARY ACCORDING TO THE TOTAL TRAVEL

0	FOR APPROVAL		
REV.:	DATE:	DESCRIPTION:	BY:
DRAWING NAME: ELEVATOR LAYOUT ELEVATION VIEW			
ELEVATOR(S) NUMBER:			
DETAILS: APPLICABLE CODE LIFTS FOR PERSONS WITH PHYSICAL DISABILITIES GT-102 FRONT/ REAR OPENINGS			
PROJECT NAME:			
LOCATION:			
		LE GROUPE MANUFACTURIER D'ASCENSEURS GLOBAL TARDIF ELEVATOR MANUFACTURING GROUP	
DRAWN BY: K.R.	VERIFIED BY:	DATE:	SCALE: N.T.S.
REF.: GT-102-L25	DRAWING #:	SHEET: 2/2	REV: