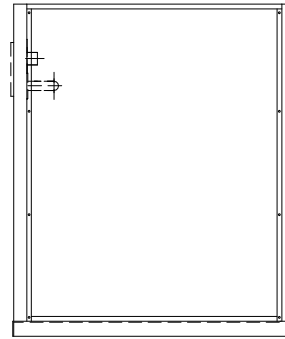
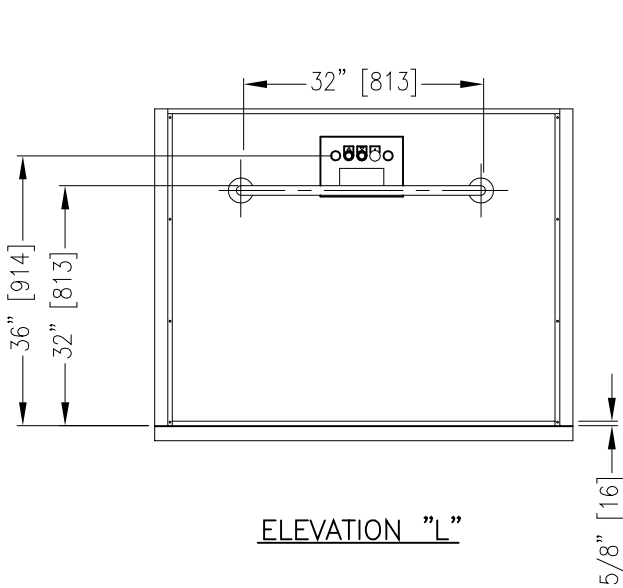
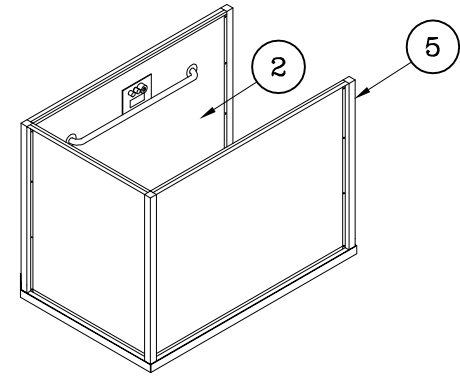


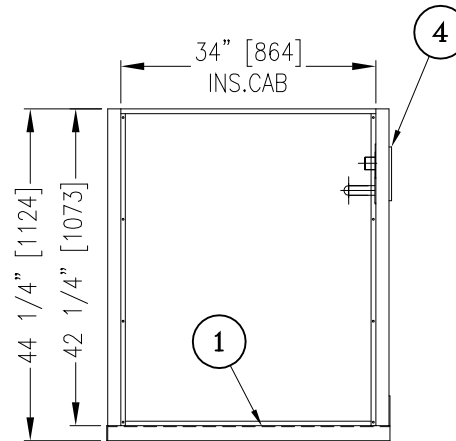
TOP VIEW



DETAIL BACK WALL



ELEVATION "L"



SIDE VIEW

FINISH DETAILS

- ① FLOOR FINISH: 1/8" EP.
- ② CAB WALL (FINISH #): TO BE CONFIRMED
- ③ HANDRAIL: STAINLESS STEEL
ø1 1/4" [31.75mm] X 32" [813mm]
- ④ CAR OPERATION PANEL
- ⑤ STRUCTURE COLOR: TO BE CONFIRMED
- ⑥ PHONE BOX OPTIONAL

0	NOV.04'05		
REV.:	DATE:	DESCRIPTION:	BY:

DRAWING NAME: ELEVATOR CAB

ELEVATOR(S) NUMBER:
DETAILS: GT SMARTLIFT FRONT

PROJECT NAME:

LOCATION:



DRAWN BY:	VERIFIED BY:	DATE:	SCALE:	N.T.S.
REF.:	DRAWING #:	SHEET:	REV:	