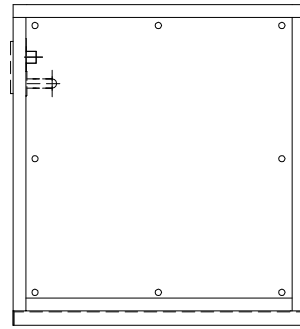
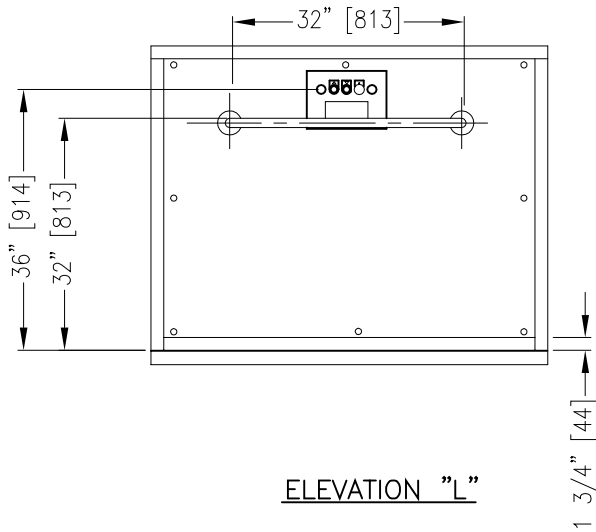
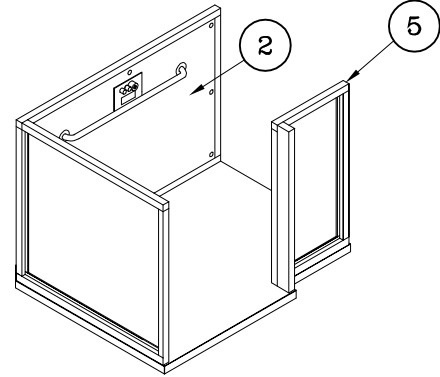


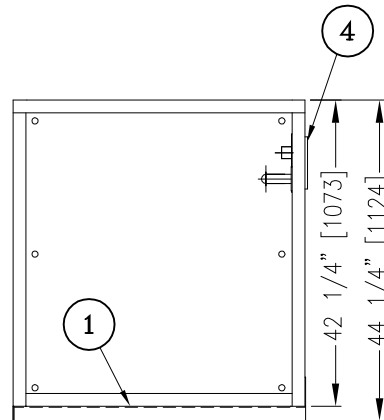
TOP VIEW



DETAIL BACK WALL



ELEVATION "L"



ELEVATION "M"

FINISH DETAILS			
①	FLOOR FINISH:	ALUMINIUM	
②	CAB WALL (FINISH #):	TO BE CONFIRMED	
③	HANDRAIL:	STAINLESS STEEL #1 1/4" [31.75mm] X 32" [813mm]	
④	CAR OPERATION PANEL		
⑤	STRUCTURE COLOR:	CLEAR ANODIZED	
⑥	PHONE BOX	OPTIONAL	
REV.:	DATE:	DESCRIPTION:	BY:
DRAWING NAME: ELEVATOR CAB			
ELEVATOR(S) NUMBER:			
DETAILS: G'T SMARTLIFT FRONT-SIDE			
PROJECT NAME:			
LOCATION:			
			LE GROUPE MANUFACTURIER D'ASCENSEURS GLOBAL TARDIF ELEVATOR MANUFACTURING GROUP
DRAWN BY:	VERIFIED BY:	DATE:	SCALE: N.T.S.
REF.:	DRAWING #:	SHEET:	REV: