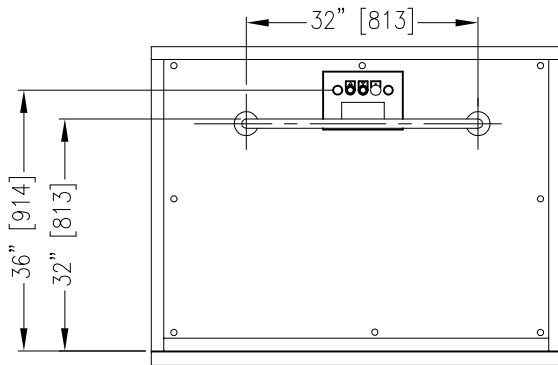
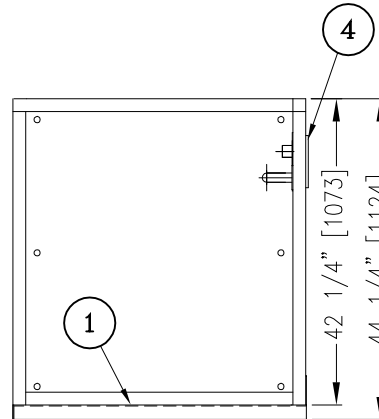


TOP VIEW

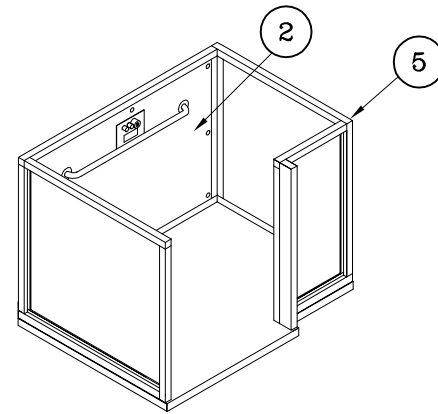


ELEVATION "L"

1 3/4" [44]



ELEVATION "M"



| FINISH DETAILS | | | |
|----------------------------|----------------------|--|---------------|
| ① | FLOOR FINISH: | ALUMINIUM | |
| ② | CAB WALL (FINISH #): | TO BE CONFIRMED | |
| ③ | HANDRAIL: | STAINLESS STEEL ø1 1/4" [31.75mm] X 32" [813mm] | |
| ④ | CAR OPERATION PANEL | | |
| ⑤ | STRUCTURE COLOR: | CLEAR ANODIZED | |
| ⑥ | PHONE BOX | OPTIONAL | |
| REV.: | DATE: | DESCRIPTION: | BY: |
| DRAWING NAME: ELEVATOR CAB | | | |
| ELEVATOR(S) NUMBER: | | | |
| DETAILS: SMARTLIFT FRONT | | | |
| PROJECT NAME: | | | |
| LOCATION: | | | |
| | | <small>LE GROUPE MANUFACTURIER D'ASCENSEURS</small> GLOBAL TARDIF <small>ELEVATOR MANUFACTURING GROUP</small> | |
| DRAWN BY: | VERIFIED BY: | DATE: | SCALE: N.T.S. |
| REF.: | DRAWING #: | SHEET: | REV: |