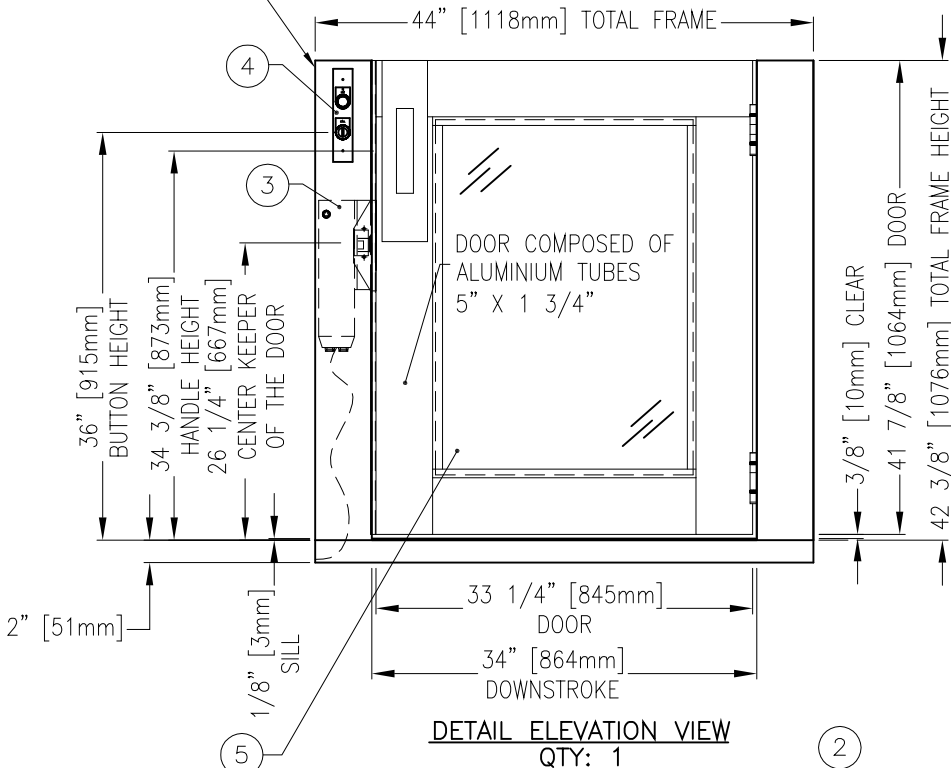
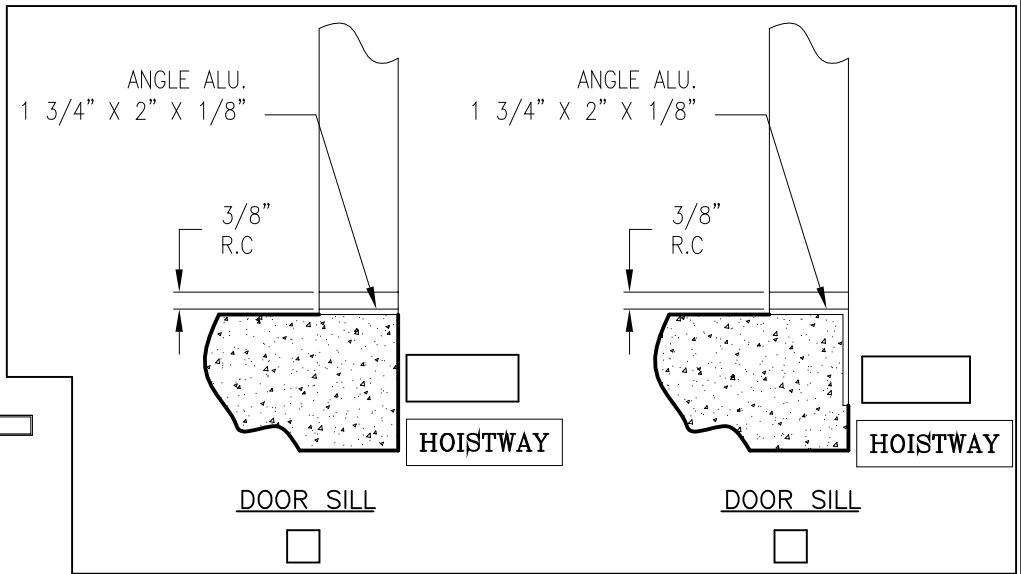
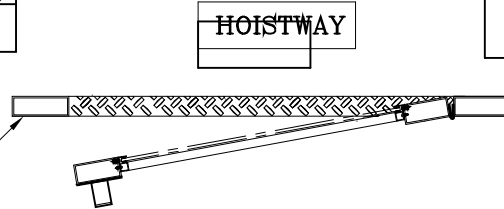


ALUMINIUM FRAME

ALUMINUM TUBES
5" X 1 3/4" (TYP.)



DETAIL ELEVATION VIEW
QTY: 1
LEFT HAND SWING

22 3/4" [578mm] x 31 3/8" [797mm]

FINISH DETAILS			
①	SILL FINISH:	ANGLE ALU. 1/8"	
②	FRAME COLOR OR FINISH:	ANODIZED CLEAR	
③	INTERLOCK:	PRUD'HOMME	
④	HALL STATION:	STAINLESS STEEL #4	
⑤	DOOR INSERT:	22 3/4" PLEXIGLASS 25" X 31 3/8"	
⑥	DOOR OPERATOR:	NOT REQUIRED	
0	REV.:	DATE:	DESCRIPTION:
DRAWING NAME:			
ELEVATOR(S) NUMBER:			
DETAILS:			
SMARTLIFT			
PROJECT NAME:			
LOCATION:			
DRAWN BY:		VERIFIED BY:	DATE:
REF.:		DRAWING #:	SCALE:
SHEET:		REV.:	

